

SPECIFICATIONS

Variable focus open reflector lighting fixture

- PHYSICAL** Die-cast aluminum
Thermally insulated, precision focus knob
Sealed reflector housing
Reflector temperature control through integral heat sink fins
Gel frame holders with two accessory slots
Top-mounted, gel-frame retainer
Steel yoke
Positive locking yoke clutch
UL and cUL listed
- ELECTRICAL** 115-240V, 50/60Hz
High-temperature three-conductor 36" leads in a glass fiber outer sleeve
Supports ETC Dimmer Doubling™ technology
- LAMP** HPL — compact tungsten filament contained in a krypton/xenon-filled quartz envelope (see table for suitable lamp types)
750W
Patented filament geometry makes for extremely efficient light collection and transmission
Integral die-cast aluminum heat sink lamp base
- LENSES** Patented wave lens system
Two heat resistant borosilicate glass lenses
One fixed wave clear lens and one rotatable wave stippled lens installed
Tool free front lens changing
Thermally insulated lens ring
- OPTICAL** Modified parabolic and multifaceted reflector
Computer designed reflector facets molded directly into heat sink casting, finished with an enhanced aluminum deposition process, and polished for maximum reflectance

ORDERING INFORMATION

Source Four PARNeI

Model#	Description
PARNeI	Source Four PARNeI (black)
PARNeI-1	Source Four PARNeI (white)

ETC Source Four PARNeI are supplied with color frame and 3' (91.4cm) bare leads

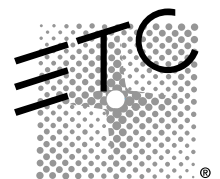
Connector Designation

Use Suffixes below to specify Factory-Fitted Connector type	
Model#	Description
A	Parallel-blade U-ground connector
B	Two-pin and ground, 20 amp connector
C	Grounded, 20 amp, twistlock connector
M	Dimmer Doubling™ connector (NEMA L515P)

Source Four PARNeI Accessories

Model#	Description
407CF	Color frame (7.5") (included)
400SC	Safety Cable
400CC	C-Clamp for Pipe Mounting
400PTH3	Top hat, 3"
400PTH6	Top hat, 6"
400PHH	Half hat
400XBTH	Cross baffle top hat
400PGE3	Gel extender, 3"
400PGE6	Gel extender, 6"
400BD	Barn door
400L	Egg crate louver
400WB	Weighted base

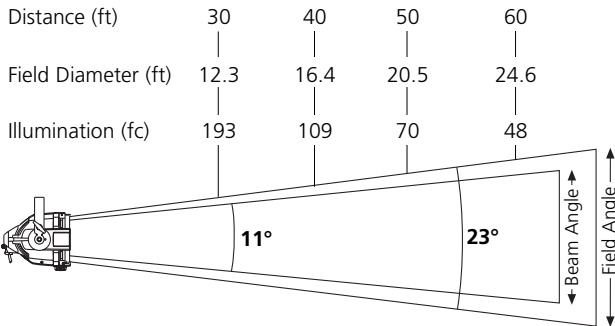
Note: For colors other than black or white, please call ETC



PHOTOMETRICS

All photometric tests conducted using the Prometric™ CCD measurement system. All data normalized to nominal lamp lumens at rated voltage, using calibrated HPL 750/115V 21,900 lumens lamp at its rated voltage.

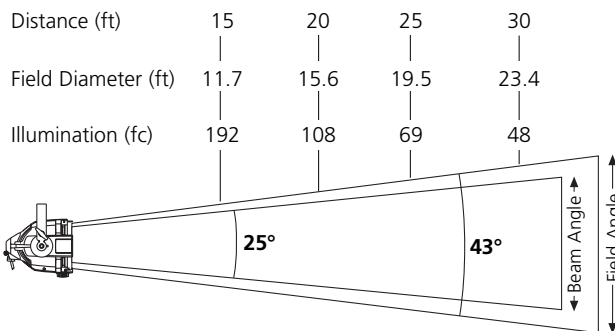
PARnel Spot



Candlepower	Field Lumens	Efficiency	Efficacy
174,000	9,270	42.3%	12.4 LPW

For Field diameter at any distance, multiply distance by .41
For Beam diameter at any distance, multiply distance by .19

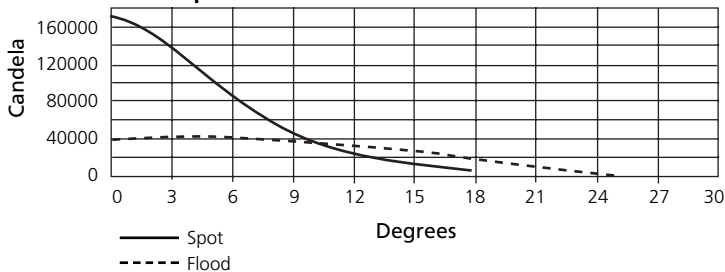
PARnel Flood



Candlepower	Field Lumens	Efficiency	Efficacy
43,100	9,740	44.5%	13.0 LPW

For Field diameter at any distance, multiply distance by .78
For Beam diameter at any distance, multiply distance by .45

Candlepower Distribution Curve



Metric Conversions: For Meters multiply feet by .3048
For Lux multiply footcandles by 10.76

To determine illumination in footcandles or lux at any throw distance, divide candlepower by distance squared.

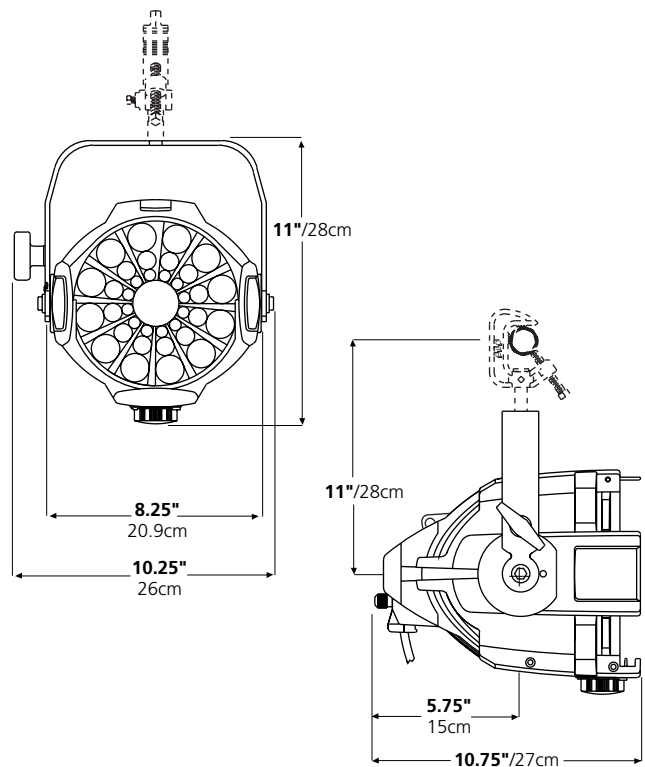
For illumination with any lamp, multiply the candlepower of a beam spread by the multiplying factor (mf) shown for that lamp.

PHYSICAL

Lamp code	Watts	Volts	Initial Lumens	Color Temp.	Average Rated Life	MF
HPL 750/115	750	115	21,900	3,250°	300	1.00
HPL 575/115	575	115	16,520	3,250°	300	0.87
HPL 575/115X	575	115	12,360	3,050°	2000	0.66
HPL 575/120	575	120	16,460	3,250°	300	0.87
HPL 375/115	375	115	10,540	3,200°	300	0.55
HPL 375/115X	375	115	8,060	3,000°	1000	0.43
HPL 550/77*	550	77	16,170	3,250°	300	0.87
HPL 550/77X*	550	77	12,160	3,050°	2000	0.66
HPL 750/230	750	230	19,400	3,200°	300	0.90
HPL 750/240	750	240	19,400	3,200°	300	0.90
HPL 575/230	575	230	14,900	3,200°	400	0.76
HPL 575/240	575	240	14,900	3,200°	400	0.76
HPL 575/230X	575	230	11,780	3,050°	1500	0.61
HPL 575/240X	575	240	11,780	3,050°	1500	0.64
HPL 375/230X	375	230	7,800	3,050°	1000	0.38
HPL 375/240X	375	240	7,800	3,050°	1000	0.38

*77V lamps are intended for use with the ETC Dimmer Doubler™.

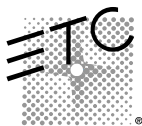
Warning: Use of lamps other than HPL will void UL/cUL safety approval and product warranty. Source Four PARnel is rated for 750W maximum.



Source Four PARnel Weights

Model	Fixture Weight*		Shipping Weight	
	lbs	kgs	lbs	kgs
PARnel	8	3.6	12.8	5.8

* Add 2.3 lbs for C-clamp



Electronic Theatre Controls

Americas • 3030 Laura Lane Middleton, WI 53562 • Tel: (+1) 608 831 4116 • Fax: (+1) 608 836 1736 • Toll free: 800 688 4116 • Toll free fax: 800 555 8912

Europe • 5 Victoria Industrial Estate, Victoria Road, London W3 6UU • Tel: +44 (0)20 8896 1000 • Fax: +44 (0)20 8896 2000

Asia • Room 605-606, Tower III Enterprise Square • 9 Sheung Yuet Road, Kowloon Bay • Kowloon, Hong Kong • Tel: (+852) 2799 1220 • Fax: (+852) 2799 9325

International • 3030 Laura Lane Middleton, WI 53562 • Tel: (+1) 608 831 4116 • Fax: (+1) 608 836 1736 • Toll free: 800 688 4116 • Toll free fax: 800 555 8912

Web: www.etconnect.com • **Email:** mail@etconnect.com Copyright © 2000 Electronic Theatre Controls, Inc., All Rights Reserved. All product information and specifications subject to change.

Source Four™ products protected by U.S. Patent Numbers: 5,268,613, 5,345,371, 5,544,029 and 5,446,637, Japanese Patent Number: 2,501,772. US and International Patents Pending.