

Parts List



Leko 10

120V

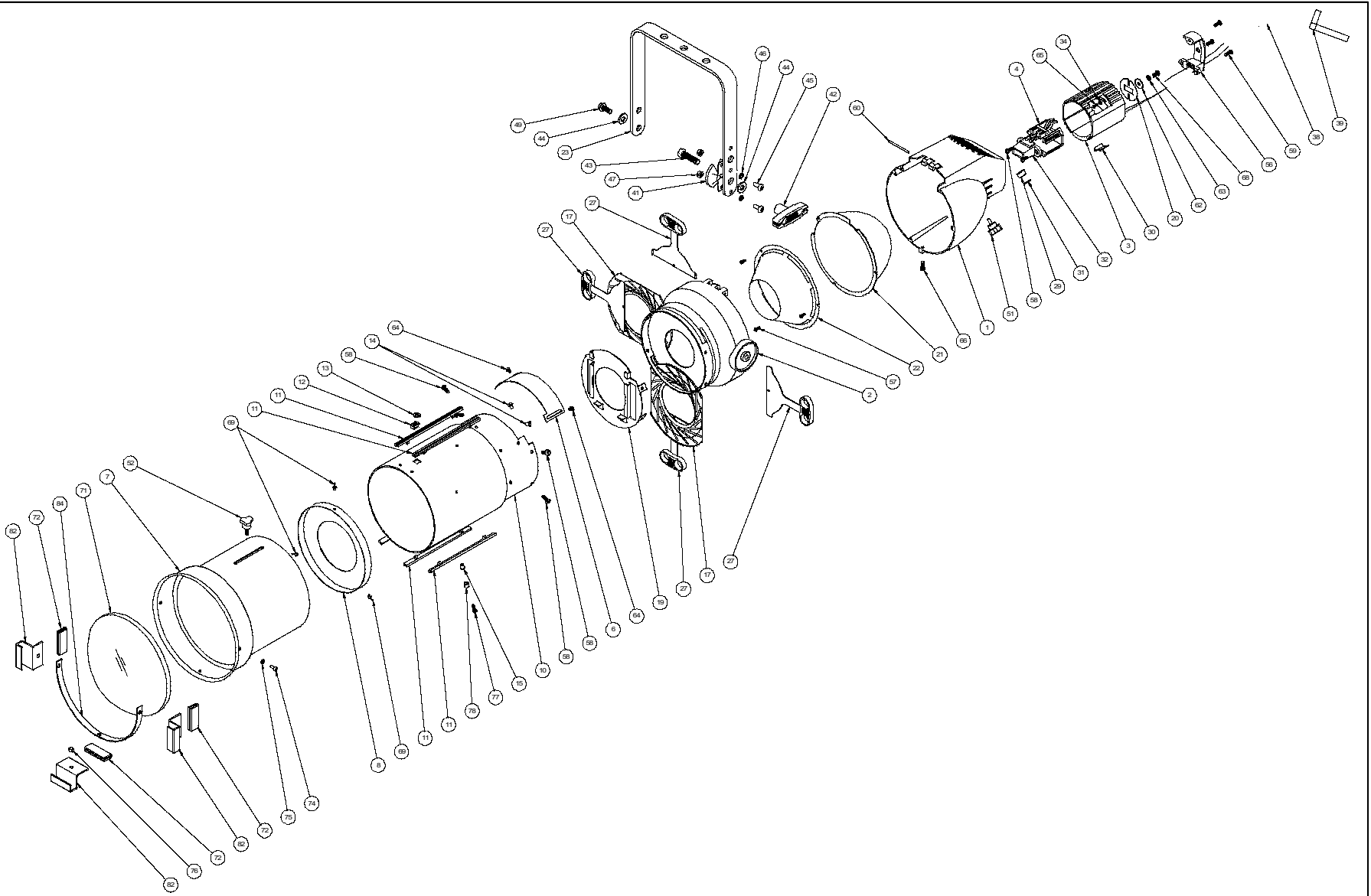
Drawing Ident: Part/Package Description: Part/Package No: Package Items:

1	REFLECTOR HOUSING	FB/0A41750	
2	GATE HOUSING	FB/0A41751	
3	LAMP CARRIAGE CASTING	FB/0B41756	
4	LAMPHOLDER MOUNTING CASTING	FB/0C41762/1	
5	For information please contact your Strand supplier.		
6	IRIS BAFFLE	DM/0C41834	
7	LEKO 5/10 DEG FRONT SPINNING	DP/0B42444	
8	LIGHT BAFFLE 4" PAINTED	DP/0C42455	
9	For information please contact your Strand supplier.		
10	REAR TUBE ASSY 5 & 10 DEG	TM/0S42457	
11	CARD GUIDE	607/B435	
12	FLOATING NUT 10-24	607/B434	
13	NYLON WASHER	670/B093/NYL	
14	AVDEL NUTSERT 8 -32 UNC	707/B055	
15	10-32 UNF LARGE FLANGE AVDEL	707/B073	
16	For information please contact your Strand supplier.		
17	SHUTTER PRESSURE PLATE	DM/0A41771	
18	For information please contact your Strand supplier.		
19	IRIS MOUNTING PLATE	DM/0B41773	
20	X - Y PLATE	DM/0C41763	
21	REFLECTOR	61/B001	
22	SLOTTED GATE BAFFLE	DB/0C41799	
23	SCREENED YOKE LEKO 10 DEG	NX/0B42487/1	
24	For information please contact your Strand supplier.		
25	For information please contact your Strand supplier.		
26	For information please contact your Strand supplier.		
27	SHUTTER BLADE (BLK)	CM/0C41777/2	
28	For information please contact your Strand supplier.		

Drawing Ident:	Part/Package Description:	Part/Package No:	Package Items:
29	BAYONET STOP PIN	FB/0C41761/1	
30	BAYONET SPRING	HB/0C41760	
31	PTFE WASHER	CB/0D41864	
32	LAMPHOLDER T22 (450C)	246/B047	
33	For information please contact your Strand supplier.		
34	EARTH WIRE ASSY	PL/0C41786/1	
35	For information please contact your Strand supplier.		
36	For information please contact your Strand supplier.		
37	For information please contact your Strand supplier.		
38	SLEEVING 3/8 INT. DIA x 3	243/B016	
39	WIRING LABEL	40/B588	
40	For information please contact your Strand supplier.		
41	#LOCK CUP F & PC	DM/0D30013/2	
42	YOKE LOCK KNOB	607/B404	
43	3/8*1 1/2 HEX HD BOLT	708/B051	
44	3/8 PLAIN WASHER	702/B032	
45	1/4*1/2 PHILLIP PAN HD	652/B043	
46	1/4 GROVER	703/B014	
47	1/4 FULL NUT	662/B006	
48	For information please contact your Strand supplier.		
49	5/16 X 3/4 L16 H/W TAPTITE	652/B050	
50	For information please contact your Strand supplier.		
51	FOCUS ADJUST KNOB	607/B405	
52	KNOB 10-24X3/4LG MALE 273	710/B036	
53	For information please contact your Strand supplier.		
54	For information please contact your Strand supplier.		
55	For information please contact your Strand supplier.		
56	REAR GRAB HANDLE	CB/0B41755	
57	NO6X32ANC-2A PH5/16 TAP	652/B046	
58	8*32 ANC-2A 1/2 TAP PN HD	652/B042	
59	SCR NO8 X 1/2 S/T PAN/HD/PZ	654/B057	
60	ROLL PIN	604/B428	
61	For information please contact your Strand supplier.		
62	N010 LARGE FLANGE WASHER	670/B091	
63	N010 BECU WAVE WASHER	702/B033	

Drawing Ident:	Part/Package Description:	Part/Package No:	Package Items:
-------------------	---------------------------	------------------	----------------

64	8-32 UNC X5/16 LNG PAN HD	652/B048	
65	4BA EXT SHK PROOF WASHER	672/B025	
66	10X32 UNF 1/2LG PH PAN HD	652/B049	
67	For information please contact your Strand supplier.		
68	10X32 UNF 1/2 PH PAN HD	652/B053	
69	POP RIVET TAP/D46BS-042	604/B082	
70	For information please contact your Strand supplier.		
71	LENS 203.2 X 355 FL	60/B068	
72	LENS MOUNT SILICONE	6020/43500	
73	For information please contact your Strand supplier.		
74	10-32 5/8" TRUSS PHILLIPS	652/B153	
75	S'PROOF WASHER INT NO10	672/B027/SZP	
76	CAP NUT 10-32 STEEL SBZ	662/B018	
77	N010-32 UNF2A 1" PH SBZ	652/B076	
78	M5X8 SPACER	705/B167	
79	For information please contact your Strand supplier.		
80	For information please contact your Strand supplier.		
81	For information please contact your Strand supplier.		
82	CLIP-GEL FRAME 10 DEG	TM/0D42486	
83	For information please contact your Strand supplier.		
84	10 DEG SUPPORT BAND	DM/0C42541	



Strand Lighting Ltd

LEKO 10 120Vac

ISSUE 1 - 16-5-97