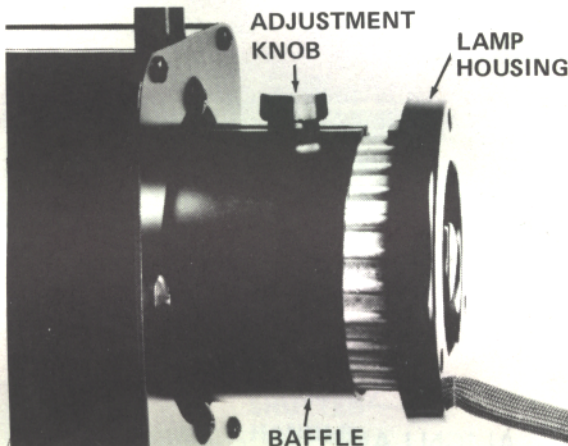


Strand Lighting 4.5 Inch Lekolite® Users Instructions

INSTALL/REPLACE LAMP



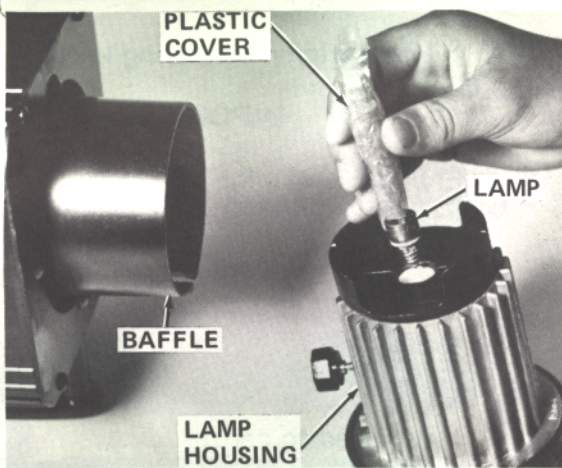
REMOVE LAMP HOUSING

1. POWER MUST BE OFF.
2. Loosen lamp housing adjustment knob until housing can be removed from baffle.
3. If required, remove lamp.

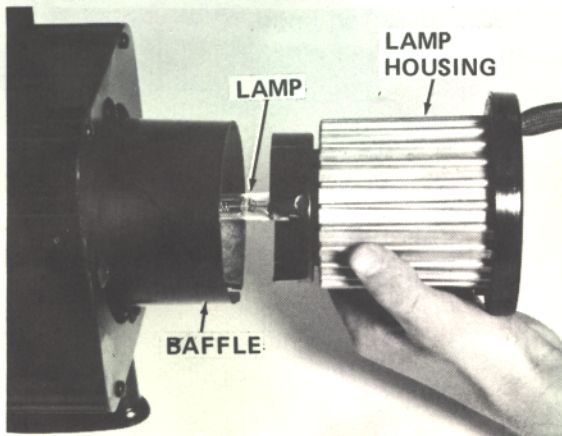
INSTALL LAMP

NOTE

FOR NEW LAMPS, LEAVE PLASTIC COVER ON GLASS PORTION UNTIL LAMP IS INSTALLED. FOR USED LAMP, USE TISSUE TO PROTECT GLASS.



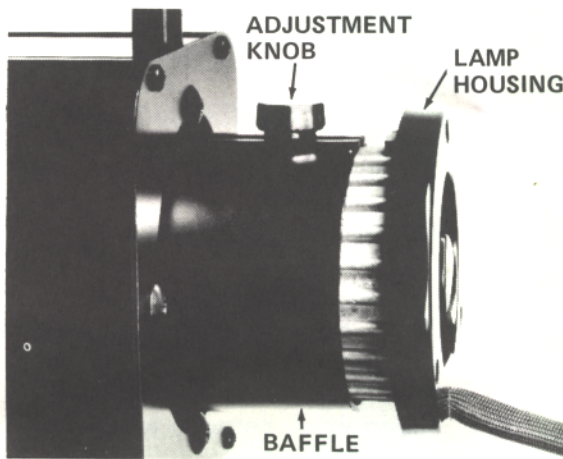
4. Screw lamp into socket. Be sure lamp is properly seated.



INSTALL LAMP HOUSING

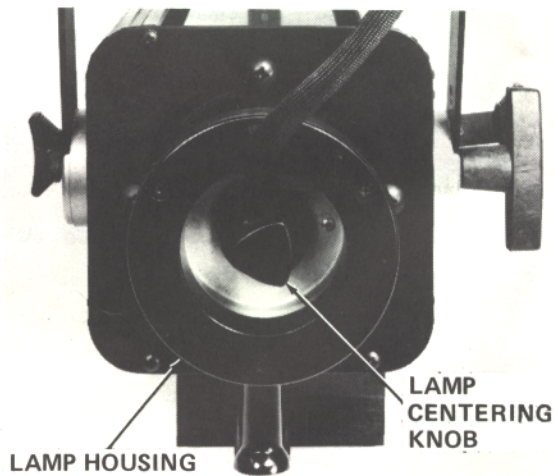
5. Install lamp and housing into baffle.
6. Secure lamp housing by tightening knob.

FOCUS/ALIGN LAMP



FOCUS LAMP

1. POWER MUST BE ON.
2. Loosen lamp housing adjustment knob until housing can be moved in baffle.
3. Slide lamp housing in or out for smooth light distribution.
4. Tighten knob.



ALIGN LAMP

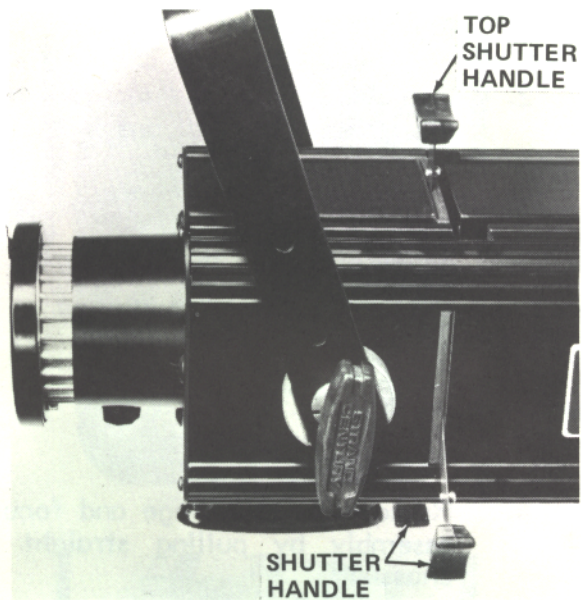
5. Loosen lamp centering knob.

IMPORTANT

WHEN IRIS IS INSTALLED, THE LAMP MUST BE CAREFULLY CENTERED, TO ENSURE THAT THE REFLECTED "HOT SPOT" IS THROUGH THE IRIS OPENING RATHER THAN AGAINST THE IRIS REAR SURFACE.

6. Grasp knob near bottom and move as required to center lamp.
5. Tighten knob.

SHAPING/SIZING BEAM



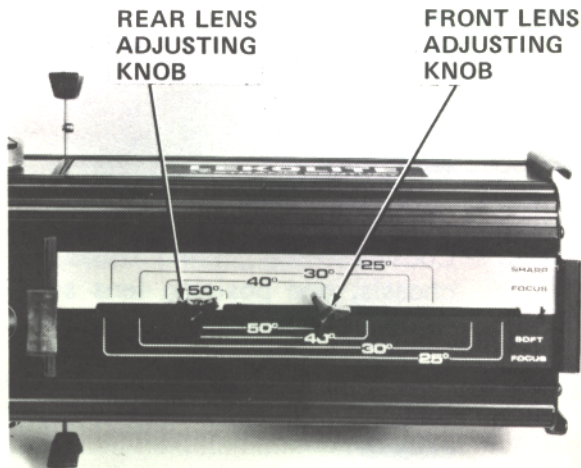
1. POWER MUST BE ON.
2. Use shutter handles (push in, pull out, or move side-to-side) to shape the beam.

IMPORTANT

WHEN IRIS IS INSTALLED AND USED TO SHAPE THE BEAM, THE IRIS OPENING SHOULD BE FRAMED WITH THE SHUTTERS TO REDUCE THE LAMP HEAT ON THE IRIS SURFACE AS MUCH AS POSSIBLE.

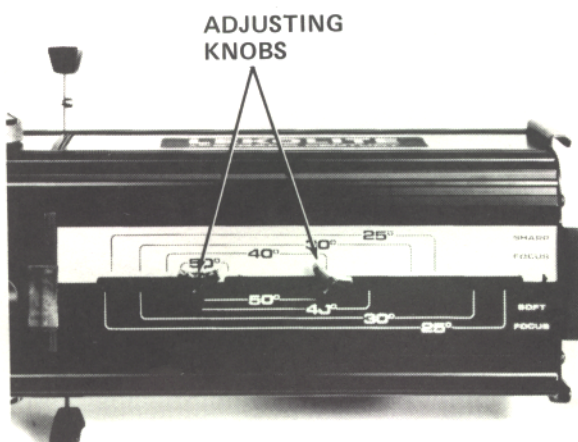
3. For iris equipped fixture, move iris handle (located in front of top shutter handle) from side-to-side to size the beam.

FIELD ANGLE/FOCUS



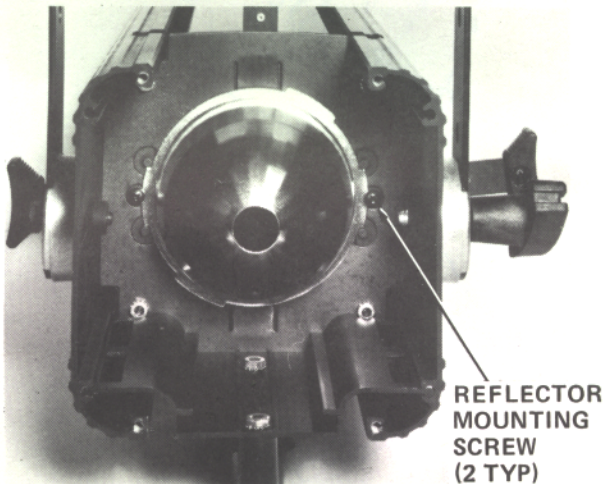
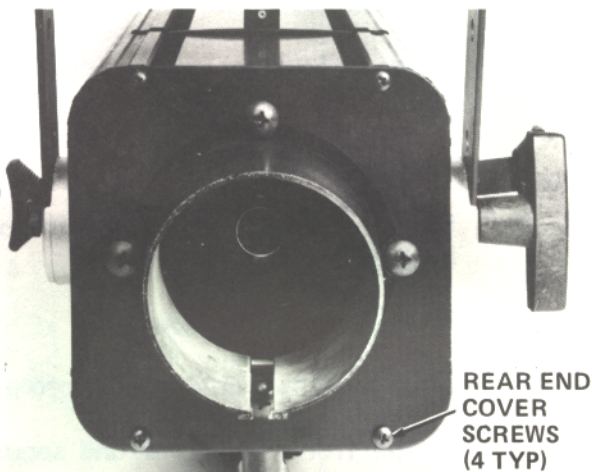
1. POWER MUST BE ON.
2. Loosens lens adjusting knobs.
3. Position the lenses in accordance with the decal marking for angle and sharp or soft focus.
4. Tighten knobs.

CLEANING LENS



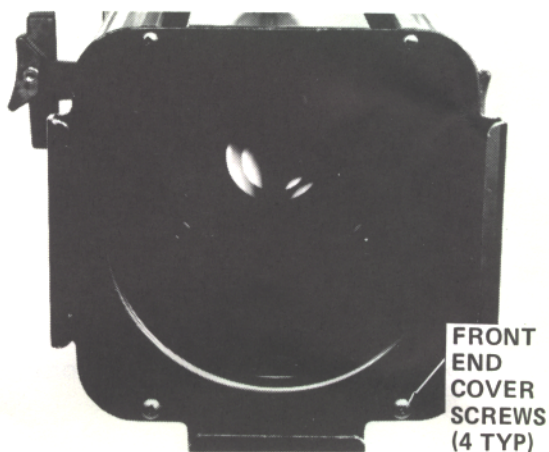
1. POWER MUST BE OFF.
2. Remove four screws securing front end cover/Gel frame to chassis.
3. Remove front end cover.
4. Remove lens carriage and focus track assembly by pulling straight out of chassis.
5. Loosen lens adjusting knobs, on bottom chassis, and position lens so that both sides are accessible for cleaning.
6. Clean lenses with 1:1 mixture of alcohol and water or household glass cleaner.
7. Install lens carriage and focus track assembly.
8. Install front end/Gel frame and secure with four screws.

CLEANING REFLECTOR

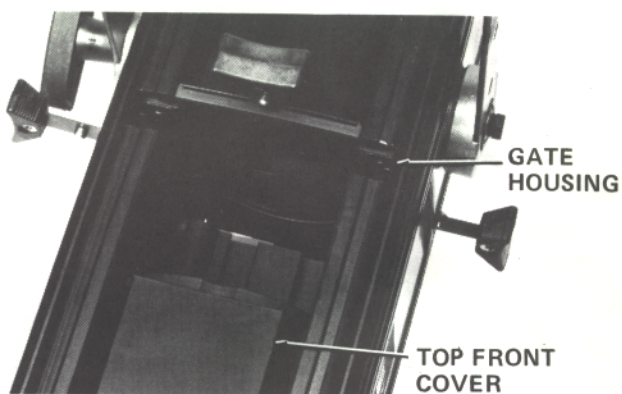


1. POWER MUST BE OFF.
2. Remove lamp housing per INSTALL/REPLACE LAMP procedure.
3. Remove four screws securing rear end cover/baffle to chassis.
4. Remove rear end cover.
5. Remove top-rear cover from chassis.
6. Loosen one and remove the other screws securing reflector to gate housing.
7. Remove reflector.
8. Using soft cloth dampened in 1:1 mixture of alcohol and water or household cleaner wipe reflector clean. DO NOT USE ABRASIVE CLEANERS.
9. Install reflector. ENSURE PROPER ALIGNMENT WITH PINS.
10. Secure reflector with two screws.
11. Install top-rear cover in chassis.
12. Install rear end cover and secure with four screws.
13. Install lamp housing per INSTALL/REPLACE LAMP procedure.

INSTALL IRIS



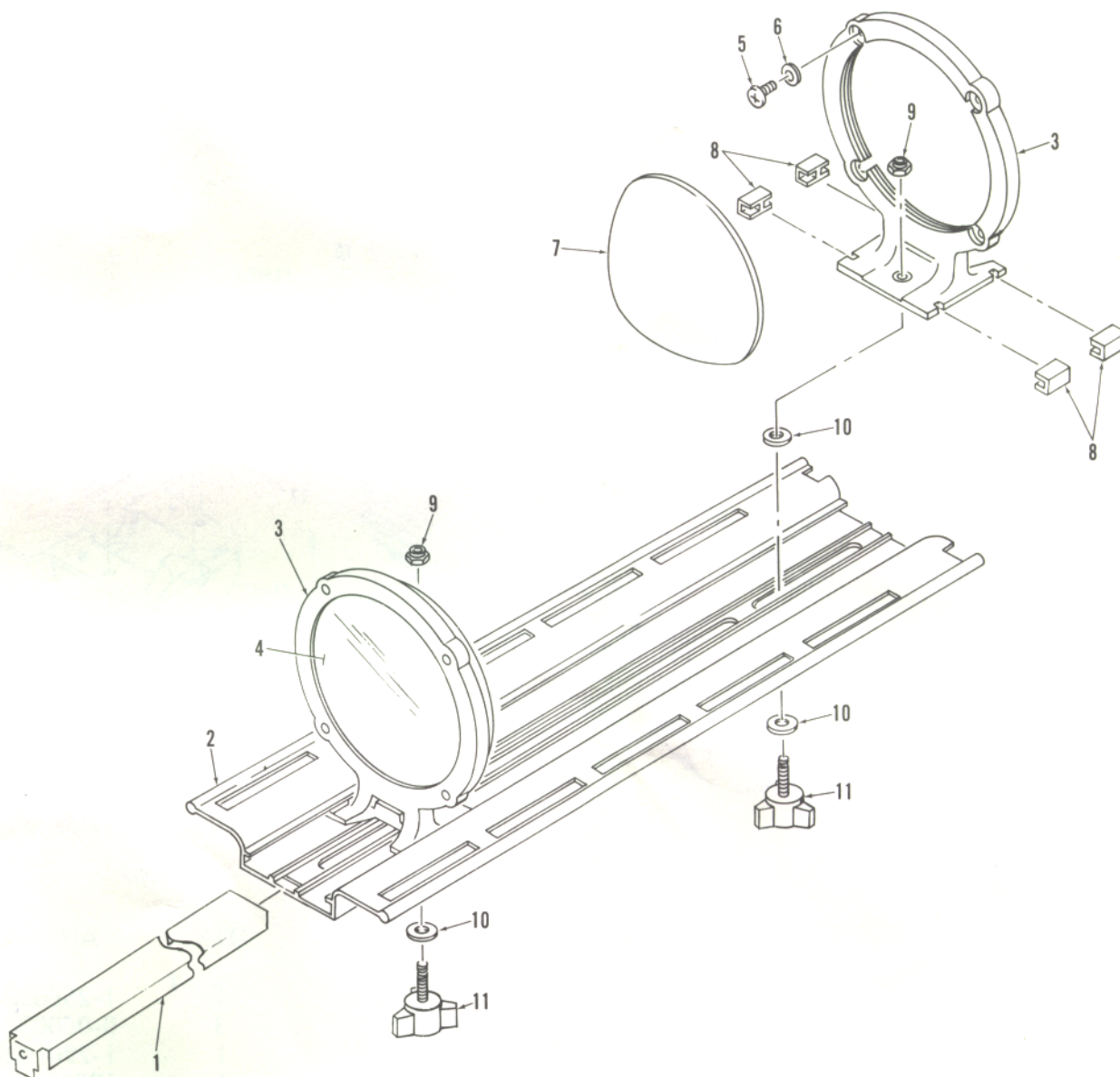
1. POWER MUST BE OFF.
2. Remove four screws securing front-end cover/Gel frame to chassis.
3. Remove front-end cover.
4. Slide top-front cover forward approximately 2 inches.
5. Install iris in gate housing.
6. Slide top-front cover back into position.
7. Install front-end cover and secure with four screws.



4½ INCH LEKOLITE MAIN ASSEMBLY PARTS LIST

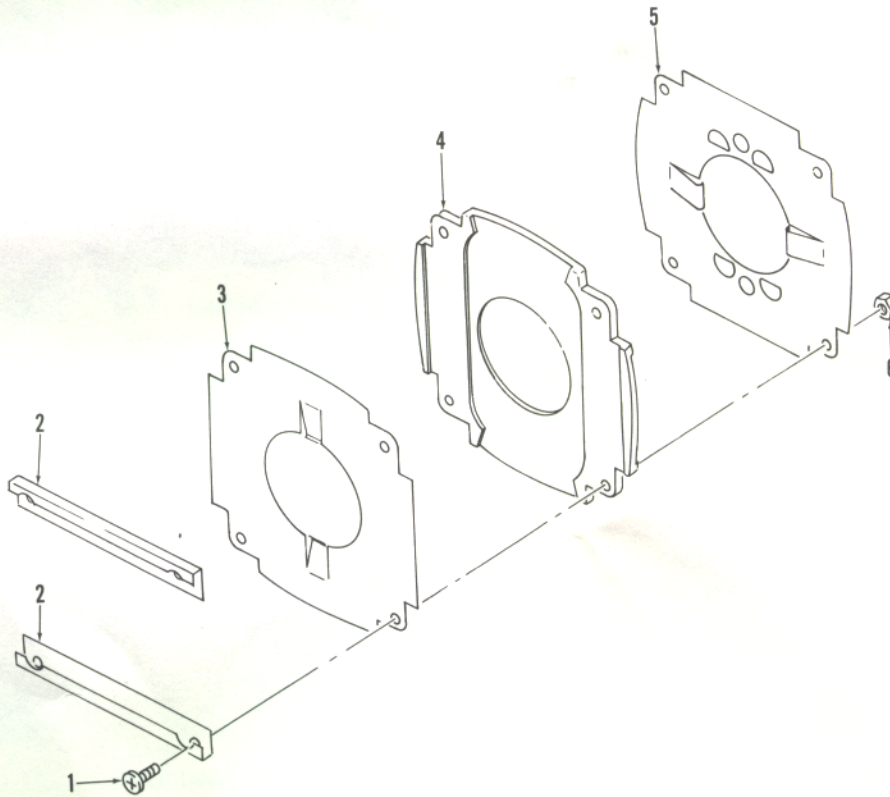
REF	DESCRIPTION	QTY	PART NO.
1	Screw, PHSMS 8 x 1 in. PH, Type A, BO	4	0-080080
2	End Cover, Front	1	6-150040-010
3	Chassis Housing, Left-Hand	1	3-191063-010
4	Upper Housing, Front	1	6-191044-010
5	Gate Housing Subassembly	1	3-191066-010
6	Reflector	1	6-280034-010
7	Spacer, Yoke	2	6-340015-010
8	Handle, Tee	1	6-187005-010
9	Washer, Spring, 5/16	2	1-290058-000
10	Yoke-Strap	1	6-380024-010
11	C-Clamp, 2 in., w/Stud	1	1555
12	Label, Lamp Type/UL	1	6-325049-010
13	Screw, HH, 5/16-18 X 1-1/2 in., CAP, BO	1	0-560014
14	Screw, THMS, 6-32 x 1/4, PH, CP	2	0-060077
15	Nut, Hex, 1/4-20, CP	4	0-140013
16	Baffle, Light	1	11240
17	Bell End Casting, A-Leko	1	10055
18	End Cover, Rear	1	6-150041-010
19	Upper Housing, Rear	1	6-191046-020
20	Screw, PHSMS, 8 x 1 in. PH, Type A, BO	4	0-080080
21	Screw, THSM, 1/4-20 x 1 in. PH, BO	4	0-140046
22	Lamp Housing Subassembly	1	3-191067-010
23	Nut, "Keps", 10-32, CP	2	0-100061
24	Lower Housing, Rear	1	6-191046-010
25	Handle, Phenolic	1	1-187016-000
26	Screw, PHMS, 10-32 x 1-3/4 in., PH, BO	2	0-100071
27	Shutter Blade	4	3-336001-010 CB/OC4270
28	Label, Lekolite	2	6-325047-010
29	Chassis Housing, Right-Hand	1	3-191063-020
30	Carriage, Focus Track Subassembly	1	3-160003-010

CARRIAGE FOCUS TRACK SUBASSEMBLY



REF	DESCRIPTION	QTY	PART NO.
1	Baffle, Light	1	6-003028-010
2	Lower Housing Track, Front	1	6-191045-010
3	Lens Retainer Subassembly	2	3-251105-010
4	<i>avant</i> Lens, Plano-Convex, 4 1/2 x 9 in. F.L.	1	1-270516-000 <i>60/8112</i>
5	Screw, THMS, 6-32 x 1/4 in. PH, BO	8	0-060077
6	Washer, Flat, Teflon	8	1-290155-000
7	<i>arrière</i> Lens, Plano-Convex, 4 1/2 x 6 1/2 in. F.L.	1	1-270501-000 <i>60/8113</i>
8	Bushing, Guide, Teflon	8	6-112002-010
9	Nut, 10-32, Lock Flex	2	1290167-000
10	Washer, Flat, Teflon	4	1-290156-000
11	Knob, 10-32 x 1/2 in. Stud	2	1-256062-000

GATE HOUSING SUBASSEMBLY



REF	DESCRIPTION	QTY	PART NO.
1	Screw, THMS, 6-32 x 1/2 in. PH, BO	4	0-060096
2	Guide, Gate Runner	2	6-186007-010
3	Disk, Shutter, w/o D-Holes	1	6-293065-020
4	Plate, Gate	1	6-293067-010
5	Disk, Shutter, w/D-Hole	1	6-293065-010
6	Nut, Hex, 6-32, "Keps", CP	4	0-060054

LAMP DATA

Q150 CL/MC	150W	120V	2900°K
EHT	250W	120V	3000°K
Q400 CL/MC	400W	120V	2900°K
JD500	500W	220/240V	3000°K

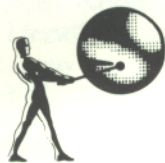
ACCESSORIES

Iris Kit	Cat No. 1355
Color Gel Frame	Cat No. 1105
Pattern/Gobo Holder	Cat No. 1345
High Hat	Cat No. 1331
Pattern Set	Cat No. 1352
Safety Cable	Cat No. 1500

PART NUMBER

6-450011-010

REV. C



Strand Lighting

Strand Lighting 18111 South Santa Fe Avenue, P.O. Box 9004, Rancho Dominguez, California 90224 Tel: (213) 637-7500, Telex: 664741

Strand Lighting 20 Bushes Lane, Elmwood Park, New Jersey 07407 Tel: (201) 791-7000, Telex: 130322

Strand Lighting 6490 Viscount Road, Mississauga, Ontario, Canada L4V 1H3 Tel: (416) 677-7130, Telex: 06968646